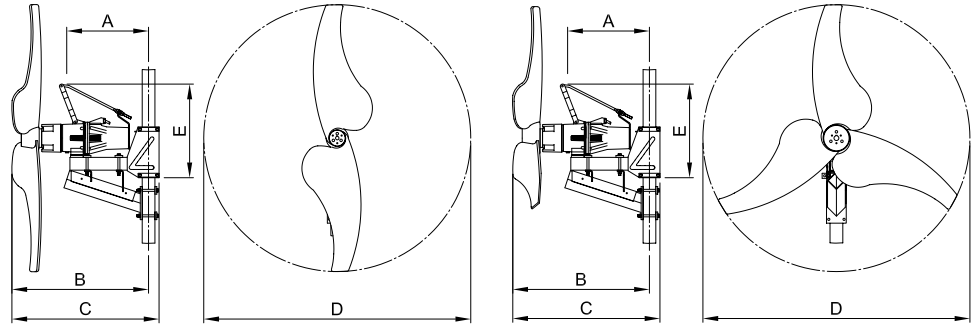


Flowmaker RVPG S100 - technical information



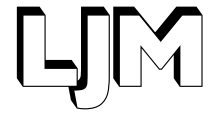
TYPE - SLOW SPEED	P2 kW	Amp.	n1 min ⁻¹	n2 min ⁻¹	A mm	B mm	C mm	D mm	E mm	H kg	Q m ³ /s
RVPG S100-1,1kW-2R	1,1	3,0	1500	33	600	1144	1241	1900	740	206	3,40
RVPG S100-1,5kW-2R	1,5	3,9	1500	33	600	1144	1241	2000	740	207	3,60
RVPG S100-1,5kW-3R	1,5	4,7	1000	27	630	1107	1204	1700	740	207	3,60
RVPG S100-2,2kW-3R	2,2	5,2	1500	33	630	1107	1204	1700	740	207	4,20
RVPG S100-3,0kW-3R	3,0	7,2	1500	40	600	1144	1241	1750	740	207	4,60
RVPG S100-4,0kW-3R	4,0	8,6	1500	33	655	1210	1300	2100	845	282	5,30

TYPE - MEDIUM SPEED											
RVPG S100-4,0kW-3R	4,0	8,6	1500	119	535	1074	1171	1040	760	175	1,20

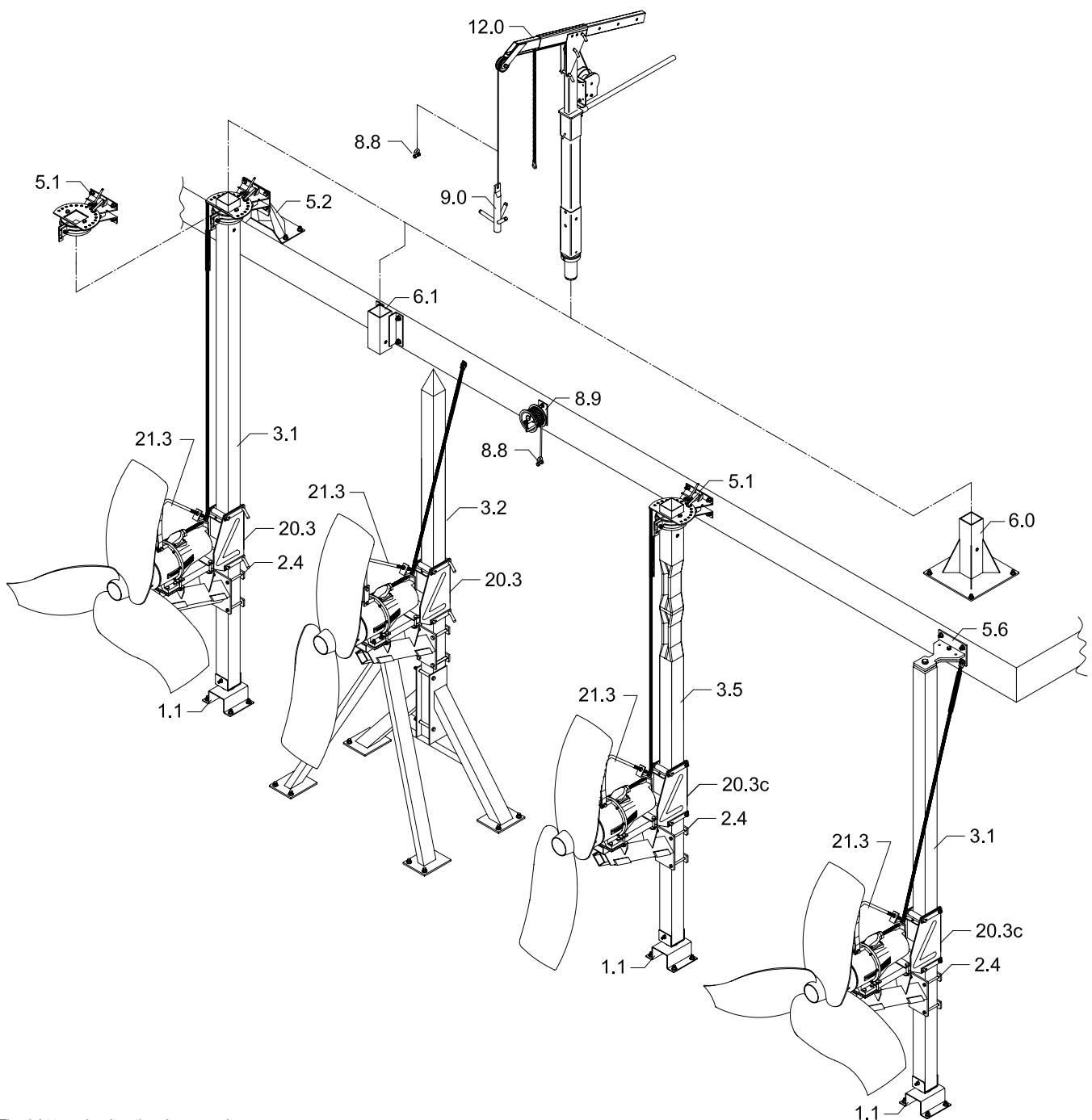
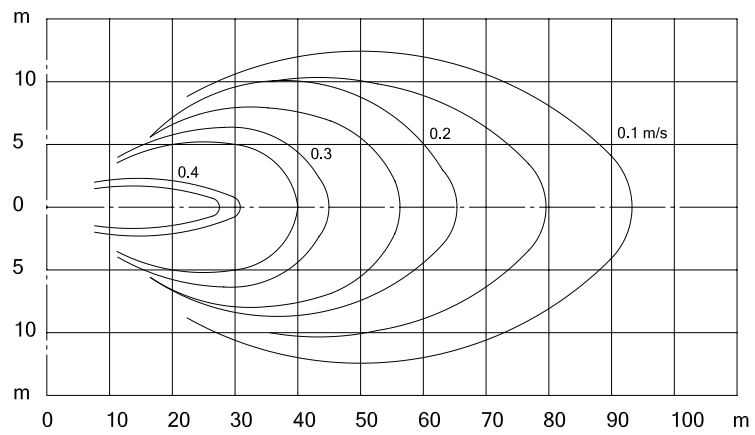
Voltage : 3x400V / 50Hz / 4- or 6-pole
 Cable : 8 m H07-RNF 7x1,5mm²
 Insulation class : F, 155°
 Motor safety : IEC 34-5 IP58
 Electrical safety : 3 bimetallic sensors and leak sensor
 Gear : Planetary gear
 Surface treatment : Paint as standard or 2-comp. epoxy as extra charge
 Start : Soft
 Motor casing : GG20
 Gear casing : GG25
 Propeller : 2 or 3-bl. in AISI 316 (2R or 3R)
 Motor shaft : St. 52-3
 Output shaft : AISI 329
 Sealing, motor side : Carbon/Ceramic

P2 Motor power
 Amp. Ampere input
 n1 Motor rotations
 n2 Propeller rotations
 A Length from centre of gravity to centre of mast
 B Length to centre of mast
 C Overall length
 D Propeller diameter
 E Total height
 H Weight incl. trap clamp and motor bracket
 Q Capacity - in water

Flowmaker RVPG S100 - technical information



The performance curve is only to be used as guidance



The right to make alterations is reserved